

# SINK SETTER INSTALLATION INSTRUCTIONS

## Contents:

This package includes:

- (2) Inner and (2) Outer Channels either model (PW-99 P 14" to 26") or (PW-104 P 25" to 47") enclosed, (10) wood screws, (4) 1/4" dia. x 3/4" (2) 1/4" Nuts Either 6 or 10 sets of 3 1/2", leveling bolts and caps.
- 2 – Side Plates for PW-104
- 4 – Side Plates for PW-99

### Assemble Sink Setter Members & Pre-fit Sink

1) Determine the best way to support your sink either using side-to-side or front-to-back supporting methods.

**Remember that faucets must clear.**

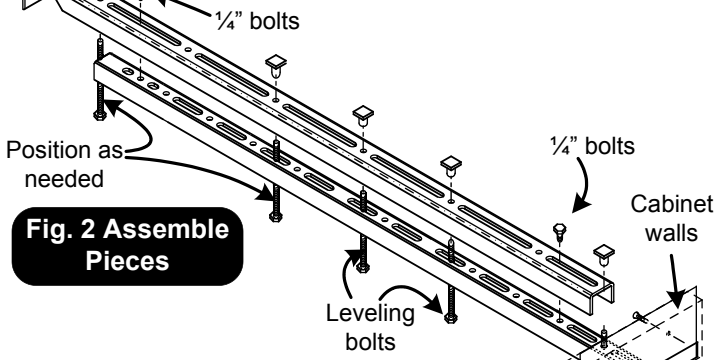
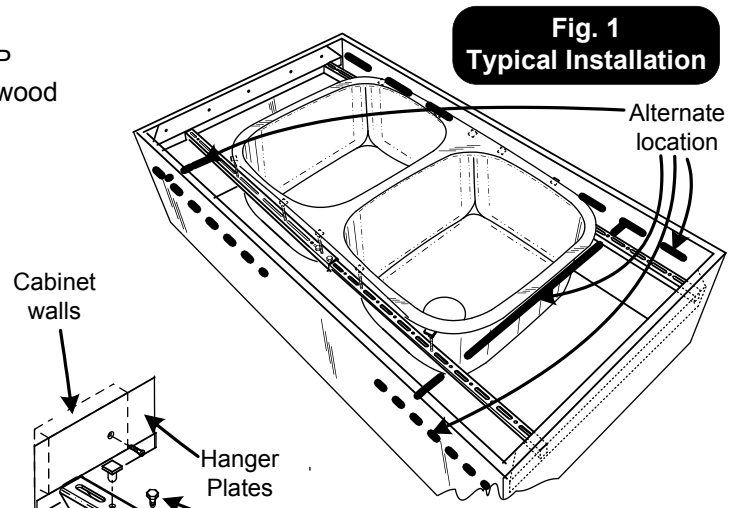
2) Slide the channel pieces together (one inside the other) and open them up to set tight against the walls of the cabinet. Place a 1/4" bolt at each end at the farthest point possible where the bolt goes through the top half and into the threaded lower channel (See Fig. 3). For the longest extensions, you may want to use one of the bolts with a nut through both slots in the pieces to leave room for a leveling bolt. It works well to space the brace bolts at 4" centers if possible.

3) Thread the leveling bolts through the threaded holes in a pattern that supports the sides of the sink evenly. Raise the heights to about 1 1/2". Repeat the process for the second Sink Setter assembly.

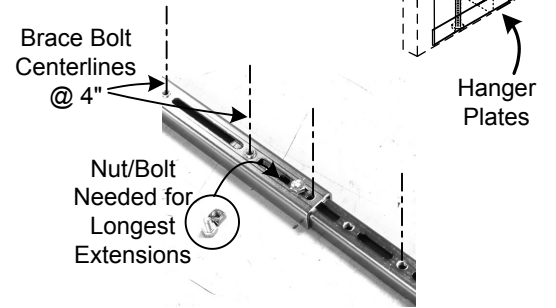
4) Mount the hanger plates to the ends of the cabinet and flush with the top of the cabinet. For front/back (alternate) installations, mount the plates flush with the top, but move the plates toward the ends of the cabinet with a gap between the plates (See Fig. 4). Place the Sink Setters on the hanger plates and tight against the underside walls of sink and under the sink rim. Slide the Sink Setters and the sink into the desired final sink position. Lay a level or straight edge across the top of the cabinet and adjust the leveling bolts.

5) Caulk the rim of the sink to provide a seal as the sink is raised back up into position during the final step. Place the countertop (with the sink opening pre-cut) in position and raise the leveling bolts with a nut driver (See Fig. 5)

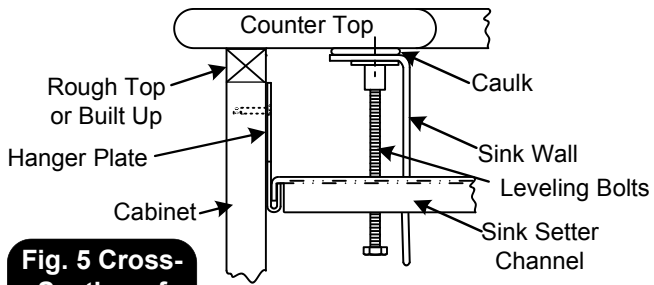
**Fig. 1 Typical Installation**



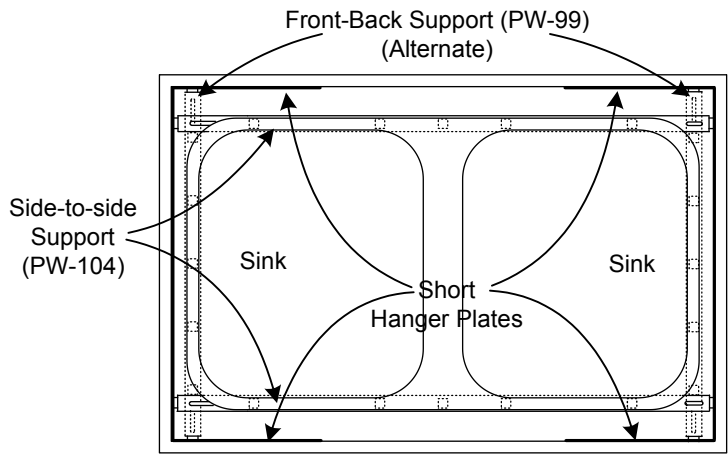
**Fig. 2 Assemble Pieces**



**Fig. 3 Bolt Assy. – Longest Extension**



**Fig. 5 Cross-Section of Mounting**



**Fig. 4 Installation**